

What if developing a new course for your student electricians was as easy as opening a box?



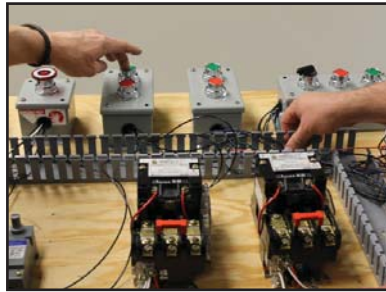
Affordable Courseware Solutions for Electrical Training Providers

Basic Motor Controls Parts 1 and 2

NEC Code Year-Independent

These classroom courseware packages each contain everything an instructor or training organization needs to deliver a class on Basic Motor Controls for electricians. **Basic**

Motor Controls Part 1 sets the foundation and **Basic Motor Controls Part 2** builds on it. Purchase them separately or together; deliver them as stand-alone courses or as a series.



Multimedia presentations, hands-on motor controls labs, quizzes and discussion guides allow the instructor to deliver a robust training experience.

The 16-hour curriculum for **Basic Motor Controls Part 1** centers on:

- The parts and components of a motor circuit
- Manual control, automatic control and control logic
- Motor control line - ladder diagrams
- Local Start / Stop Station
- Multiple Start / Stop Stations
- Using Selector Switches & Pilot Devices
- Reversing circuits

The 16-hour curriculum for **Basic Motor Controls Part 2** centers on:

- Sequential starting of multiple motors
- Control relays and their common applications
- Timers and timing logic;
 - On delay, off delay, etc.



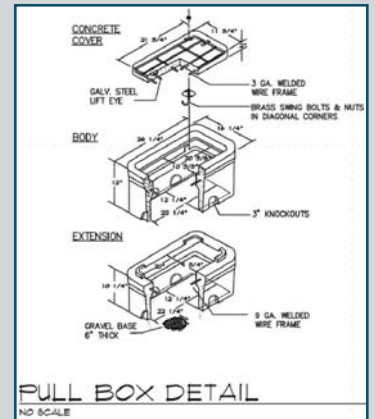
Blueprint Reading for Electricians Parts 1 and 2

Designed for NEC Code Year 2011

Deliver two courses on the popular topic of Blueprint Reading for Electricians with these classroom courseware packages. Purchase and deliver them separately, or as a series. Multimedia presentations, hands-on blueprint reading labs, and discussion guides provide everything an instructor needs to deliver an effective learning experience.

In **Blueprint Reading for Electricians - Part 1**, instructors guide students through the basics of reading and using blueprints from an electrician's perspective. Using blueprints for a commercial office building project, students learn about applying scale measurements to blueprints, blueprint sheet types and the kinds of information that can be found on them, and finding information within blueprints that electricians need to plan electrical installations.

In **Blueprint Reading for Electricians - Part 2**, instructors guide students through learning how to coordinate information from multiple blueprint sheets for a commercial office building project with equipment and materials requirements and the NEC. Students plan for the installation of conductors, grounding electrode conductors, main bonding jumpers, services, and transformers, and learn how to perform commercial load calculations.



The *Blueprint Reading for Electricians* courseware packages include digital files which allow you to print full-size blueprint sets for your students!



WESTERN ELECTRICAL
CONTRACTORS ASSOCIATION, Inc

877-444-9322 | www.goweca.com

Communication Skills for Electrical Supervisors

NEC Code Year-Independent

This classroom courseware package contains everything an instructor or training organization needs to deliver a specialized course focusing on **Communications Skills for Electrical Supervisors**.



The 6-hour curriculum includes course activities and discussions centering on real-world jobsite examples. Students tackle leadership scenarios on topics including safety, effective leadership, and jobsite management, all while building communication and presentation skills.



The *Communication Skills for Electrical Supervisors* courseware package includes discussion and activity scenarios pulled directly from the real-life experiences of working electrical foremen and supervisors!

Just Think of the Possibilities

WECA offers complete courseware solutions for electrical training providers. We recommend using our courseware to deliver training to electrical apprentices, provide continuing education classes for journeymen, or conduct training on electrical topics for any suitable audience.

There's no need for your training organization to undertake lengthy and expensive curriculum development and courseware creation processes. WECA has done the work for you.

**WECA Courseware- Providing You
With Everything You Need to Deliver a
Successful Training Experience**

What Do WECA's Courseware Packages Contain?

WECA's complete courseware solutions include everything needed by a training provider to deliver a full course:

- Instructor guides
- Multimedia presentations featuring informative text, animations, and instructor delivery notes
- Quizzes
- Student materials such as activities and worksheets
- Labs: step-by-step setup instructions for hands-on learning experiences, complete materials lists, and student lab instructions with performance checklists, unique to particular courses
- Supplemental materials, (such as digital blueprint files), unique to particular courses

About WECA Courseware

Western Electrical Contractors Association (WECA) has federal and California state-approved commercial, residential, and voice-data-video apprenticeship programs, an electrician trainee program, certification exam preparation classes, and continuing education classes for journeymen.

WECA leverages its robust in-house training programs and roster of electrical experts to produce electrical courseware and publications for use by other electrical training organizations and apprenticeship programs. WECA's courseware is currently being used by electrical training entities across the United States.

Quickly Recoup Your Investment You May Only Have to Run the Course Once to Do So!

Examine the pricing chart below to see just how affordable and cost-effective these courseware packages can be.

Classroom Courseware Package	Course Hours	Package Price (one-time purchase, with no license or renewal fees)	Recommended Per-Student Course Tuition	How Many Students to Recoup Cost of Package?*
Communication Skills for Electrical Supervisors	6	\$799.00	\$79.00	10
Basic Motor Controls Part 1	16	\$1795.00	\$215.00	8
Basic Motor Controls Part 2	16	\$1795.00	\$215.00	8
Blueprint Reading for Electricians Part 1	8	\$1595.00	\$175.00	9
Blueprint Reading For Electricians Part 2	8	\$1595.00	\$175.00	9

* Additional purchaser costs for lab materials and blueprint production may vary.

Email us at courseware@goweca.com or call 1-877-444-9322 for more information on purchasing any of these courseware packages for your training organization. Want to see before you buy? Let's arrange a webinar and get all your questions answered.